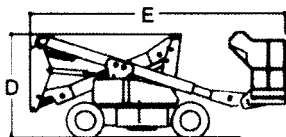


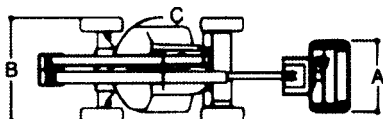
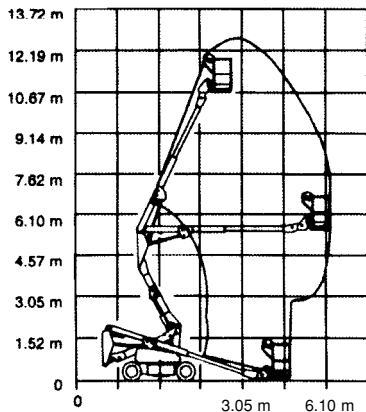
# KNUCKLE BOOMS - ELECTRIC

## 35 NE

Best suited to restricted access areas owing to its narrow wheel base extended reach up and over access in difficult situations.



### REACH DIAGRAM



Working Height	.....	12.17m
Platform Height	.....	10.67m
Horizontal Outreach	.....	6.25m
Up & Over Clearance	.....	5.46m
Platform Capacity	.....	227kg
Rotating Platform Hydraulic	.....	110°
A Platform Dimensions	.....	0.66m x 1.22m
B Overall Width	.....	1.50m
C Tailswing	.....	0.13m
D Stowed Height	.....	2.00m
E Stowed Length	.....	5.18m
Motive Power	.....	Battery
Gross Weight (Approx)	.....	4898kg