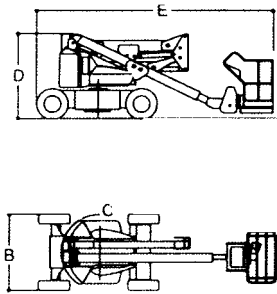
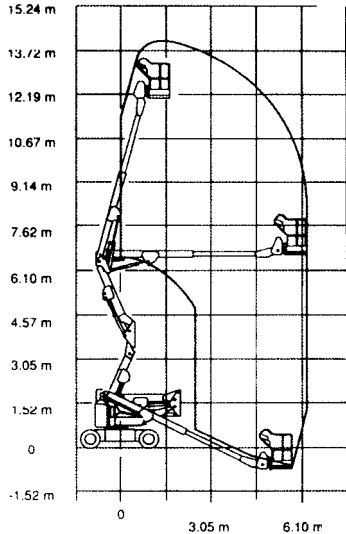


KNUCKLE BOOMS - ELECTRIC

40 NE



REACH DIAGRAM



Working Height	14.0m
Platform Height	12.19m
Horizontal Outreach	6.25m
Up & Over Clearance	6.10m
Platform Capacity	227kg
Rotating Platform Hydraulic	110°
A Platform Dimensions	0.66m x 1.22m
B Overall Width	1.5m
C Tailswing	Zero
D Stowed Height	2.00m
E Stowed Length	5.28m
Ground Clearance	10.20cm
Motive Power	Battery
Gross Weight (Approx)	5366kg