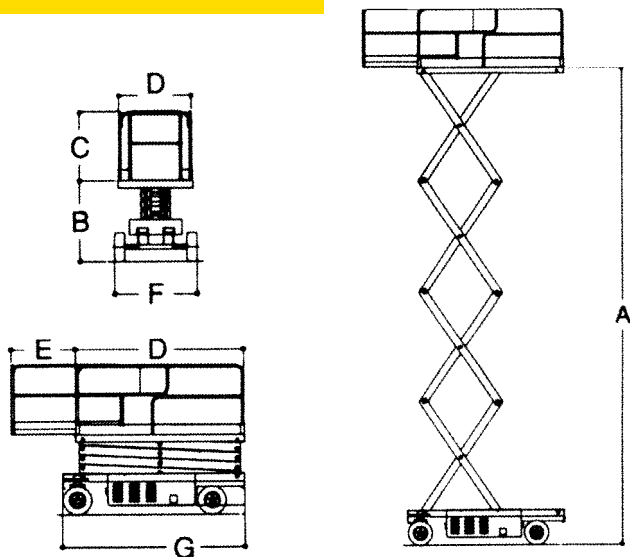


SCISSOR LIFTS - BATTERY

10 M SCISSOR



	Working Height9.12m
A	Platform Height - Elevated7.92m
B	Platform Height - Lowered1.26m
C	Platform Railing Height1.00m
D	Platform Dimensions	1.12m x 2.5m
E	Platform Extension1.27m
F	Overall Width1.17m
G	Overall Length	2.5m
	Platform Capacity454kg
	Capacity on Deck Extension113kg
	Motive PowerBattery
	Non-Marking TyresYes
	Gross Weight (Approx)2740kg