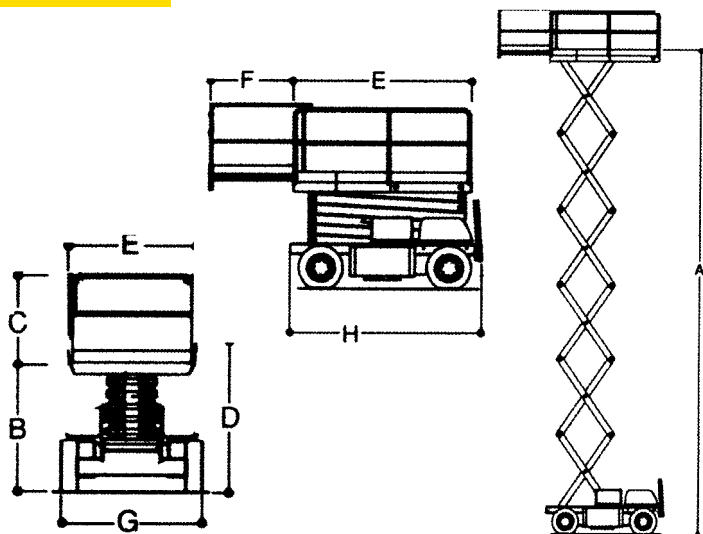


SCISSOR LIFTS - BATTERY

14 ME



	Working Height13.40m
A	Platform Height - Elevated11.90m
B	Platform Height - Lowered1.67m
C	Railing Height1.12m
D	Overall Height (rails folded down)2.01m
E	Platform Dimensions1.55m x 2.69m
F	Platform Extension1.23m
G	Overall Width1.80m
H	Overall Length2.77m
	Safe Working Load454kg
	Capacity on Deck Extension227kg
	Roll Out Deck1.23m
	Motive PowerBattery
	Gross Weight (Approx)4219kg