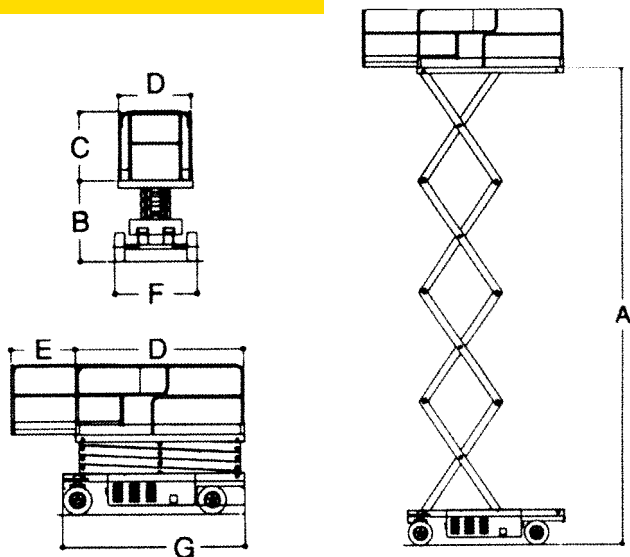


SCISSOR LIFTS - BATTERY

10 M SCISSOR



	Working Height	.9.12m
A	Platform Height - Elevated	.7.92m
B	Platform Height - Lowered	.1.26m
C	Platform Railing Height	.1.00m
D	Platform Dimensions	1.12m x 2.5m
E	Platform Extension	.1.27m
F	Overall Width	.1.17m
G	Overall Length	2.5m
	Platform Capacity	.454kg
	Capacity on Deck Extension	.113kg
	Motive Power	.Battery
	Non-Marking Tyres	.Yes
	Gross Weight (Approx)	.2740kg