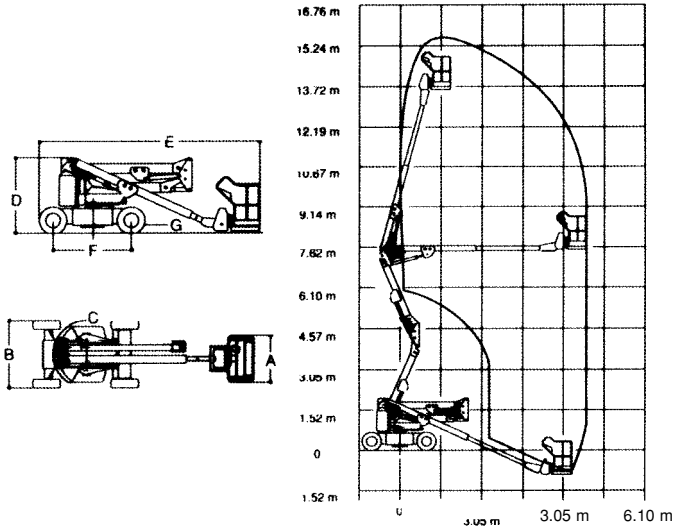


KNUCKLE BOOMS - ELECTRIC

45 E



Working Height	15.20m
Platform Height	13.72m
Horizontal Outreach	6.91m
Up & Over Clearance	7.49m
Platform Capacity227kg
Rotating Platform Hydraulic110
A Platform Dimensions0.66m x 1.22m
B Overall Width	1.75m
C TailswingZero
D Stowed Height	2.00m
E Stowed Length	5.69m
Gross Weight (Approx)5928kg