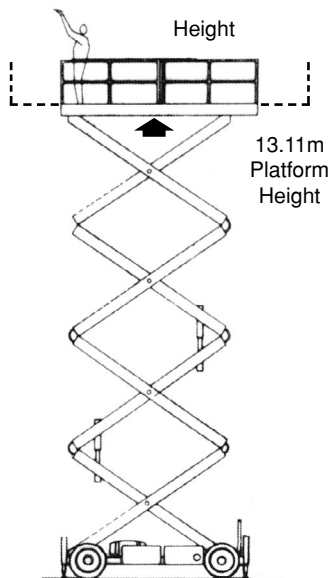


SCISSOR LIFTS - DIESEL

15 M 4 W D

This is a true rough terrain machine with levelling stabilizers. High lifting capacity with twin traversing decks with 6.2m working area. Fast travel for working on large sites.



Working Height	15m
Maximum Platform Height	13.11m
Safe Working Load	567kg
Platform Size	2.18 x 3.81m
Platform Extensions x Two	1.2m
Platform Extension Capacities (each end)	165kg
Gross Weight (Approx)	6840kg
Motive Power	Diesel
Folded Access Height	2.9m
Overall Width	2.4m
Overall Length	4.750m
Levelling Stabilizers	YES