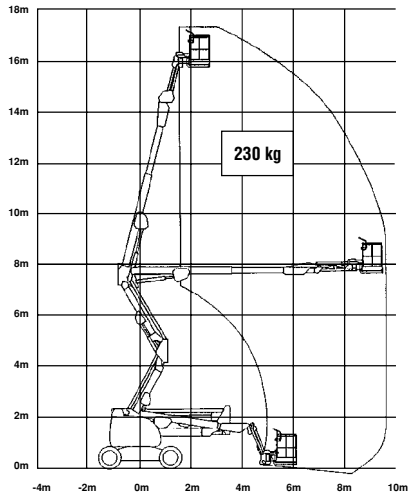
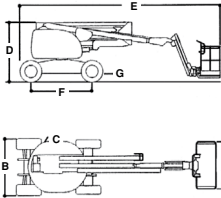


BOOMS - DIESEL

51AJ 4WD



Working Height	17.6m
Platform Height	15.81m
Horizontal Reach	9.48m
Up and Over Height	7.63m
Platform Capacity	230kg
Platform Rotator	180°
A Platform Size	0.76m x 1.83m
B Overall Width	2.26m
C Tailswing	Zero
D Stowed Height	2.26m
E Stowed Length	7.68m
F Wheelbase	2.34m
G Ground Clearance	0.36m
Gradeability 4WD	45%
Motive Power	Diesel
Gross Vehicle Weight (Approx)	7,300kg